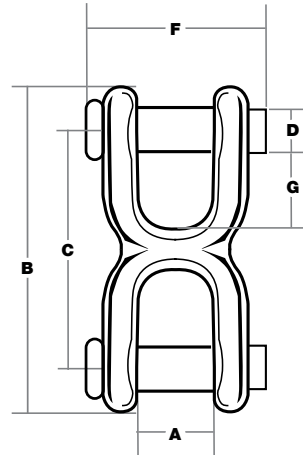


TWIN DOUBLE CLEVIS LINKS

- Drop forged.
- Carbon steel body with alloy pins.
- Zinc plated finish.

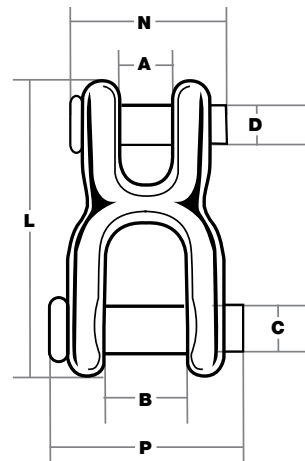


Indusco Part #	Chain Size	A	B	C	D	F	G	Weight Each	Working Load Limit*
544 00201	1/4 - 5/16	.44	2.50	1.56	.38	1.40	.45	.30	4,700
544 00206	3/8	.53	2.81	1.85	.44	1.65	.50	.45	6,600
544 00211	7/16 - 1/2	.65	3.62	2.30	.56	2.08	.63	1.0	11,250

*WORKING LOAD LIMIT IS BASED ON A DESIGN FACTOR OF 4:1

UNEQUAL DOUBLE CLEVIS LINKS

- Drop forged.
- Designed for linking all popular sizes of chain to rings, end links, eye hooks, pad eyes, etc.
- Pins can be removed with pliers.
- All pins alloy steel.
- Painted finish.



Indusco Part #	Chain Size	A	B	C	D	L	N	P	Weight Each	Working Load Limit*
544 99999	1/4	.50	.75	.50	.32	2.81	1.47	1.79	.44	3,250
544 00191	5/16 - 3/8	.56	.92	.62	.44	3.53	1.90	2.38	.81	5,400
544 00193	7/16	.69	1.12	.69	.58	4.06	2.12	2.66	1.28	7,000
544 00196	1/2	.81	1.25	.75	.63	4.53	2.38	2.91	1.68	9,200

*WORKING LOAD LIMIT IS BASED ON A DESIGN FACTOR OF 4:1

CALL **1-800-727-0665** TO PLACE AN ORDER
www.induscowirerope.com

⚠ WARNING Never exceed working load limit.

See pages 4 - 10 for important safety information.
 All measurements/units listed are in inches/pounds unless otherwise noted.