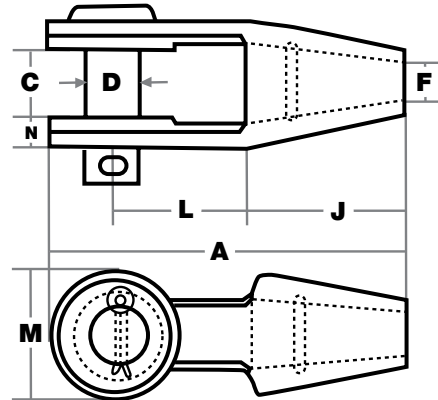


OPEN SPELTER SOCKETS

- Hot dipped galvanized.
- While attaching spelter sockets to wire rope it is extremely important to follow recommended procedures. Such as outlined by the American Iron and Steel Institute.
- Drop forged steel up to 1-1/2 trade size. 1-5/8 and larger are cast alloy steel.
- Meets performance requirements FED SPEC RR-550-D Type A, unless stated otherwise.
- In accordance with ANSI B30.9, all slings terminated with spelter sockets shall be proof-tested.
- When attached properly, these sockets will meet 100% of the wire rope capacity.



Indusco Part #	Trade Size	A	C	D	F	J	L	M	N	Weight Each
787 00071	1/4	4.56	.75	.69	.38	2.25	1.56	1.31	.36	1.10
787 00076	5/16 to 3/8	4.88	.81	.81	.50	2.25	1.75	1.50	.44	1.30
787 00081	7/16 to 1/2	5.56	1.00	1.00	.56	2.50	2.00	1.88	.50	2.25
787 00086	5/16 to 5/8	6.75	1.25	1.19	.69	3.00	2.50	2.25	.56	4.00
787 00091	3/4	7.94	1.50	1.38	.81	3.50	3.00	2.63	.63	5.80
787 00096	7/8	9.25	1.75	1.63	.94	4.00	3.50	3.13	.75	9.85
787 00101	1	10.56	2.00	2.00	1.13	4.50	4.00	3.75	.88	15.20
787 00106	1-1/8	11.81	2.25	2.25	1.25	5.00	4.50	4.13	1.00	21.50
787 00111	1-1/4 to 1-3/8	13.19	2.50	2.50	1.50	5.50	5.00	4.75	1.13	31.00
787 00116	1-1/2	15.13	3.00	2.75	1.63	6.00	6.00	5.38	1.19	47.25
787 00121	1-5/8	16.25	3.00	3.00	1.75	6.50	6.50	5.75	1.31	53.88
787 00126	1-3/4	18.25	3.50	3.50	2.00	7.50	7.00	6.50	1.56	82.00
787 00131	2 to 2-1/8	21.50	4.00	3.75	2.25	8.50	9.00	7.00	1.81	125.00
787 00136	2-1/4 to 2-3/8	23.50	4.50	4.25	2.50	9.00	10.00	7.75	2.13	167.00
Larger sizes available up to 4"										

WEIGHTS AND DIMENSIONS MAY VARY DUE TO MANUFACTURER TOLERANCES

CALL **1-800-727-0665** TO PLACE AN ORDER
www.induscowirerope.com

▲ WARNING Never exceed working load limit.

See pages 4 - 10 for important safety information.
 All measurements/units listed are in inches/pounds unless otherwise noted.