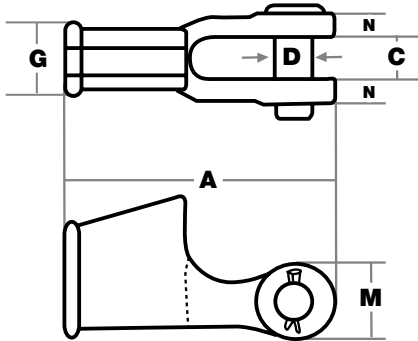


WEDGE SOCKETS



- Cast alloy steel.
- Self-colored, painted finish (Galvanized available upon request).
- Meets performance requirements FED SPEC RR-550-D Type C.
- When attached properly, wedge sockets will meet 80% of the wire ropes rated capacity.

Indusco Part #	Trade Size	A	G	C	D	M	N	Weight Each
787 00309	3/8	5.69	1.38	.81	.81	1.56	.44	3.18
787 00314	1/2	6.88	1.62	1.00	1.00	1.94	.50	5.90
787 00324	5/8	8.25	2.12	1.25	1.19	2.25	.56	9.92
787 00329	3/4	9.88	2.44	1.50	1.38	2.63	.66	15.72
787 00334	7/8	11.25	2.56	1.75	1.63	3.13	.75	24.40
787 00339	1	12.81	2.69	2.00	2.00	3.75	.88	35.18
787 00344	1-1/8	14.38	3.31	2.25	2.25	4.25	1.00	45.30
787 00351	1-1/4	16.34	3.56	2.62	2.50	4.50	1.06	57.50

WEIGHTS AND DIMENSIONS MAY VARY DUE TO MANUFACTURER TOLERANCES

CALL **1-800-727-0665** TO PLACE AN ORDER
www.induscowirerope.com

WARNING Never exceed working load limit.

See pages 4 - 10 for important safety information.
All measurements/units listed are in inches/pounds unless otherwise noted.